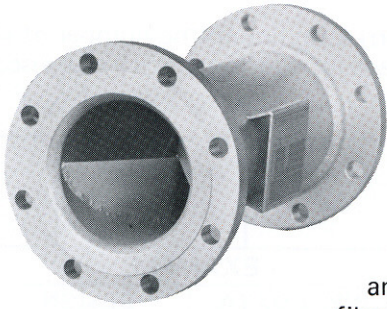
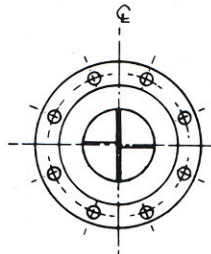
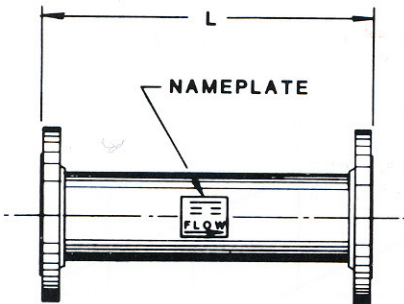


**KOMAX "M" SERIES  
INLINE STATIC/MOTIONLESS MIXERS**

- GUARANTEED PERFORMANCE
- LOW COST



These "in Stock" mixers feature very high mixing efficiency with short mixing length. They are designed for use where additives to the main pipeline flow have already been introduced upstream of the mixer. The simple, three step design procedure shown on the next page allows the rapid choice of line size, number of mixing elements and pressure drop. Available from stock, mixers are supplied with two, three or four mixing elements. All have 150 lb. flanges, and materials of construction are carbon steel, 316 stainless steel, PVC and fiberglass. Dimensions and model numbers for the "M" series are listed below.



**HOUSING:** CARBON STEEL – A53 Grade B or equal  
Schedule 40  
STAINLESS STEEL – Type 316 Schedule 40  
P.V.C. – Schedule 80  
F.R.P. – 150 psi rated filament wound

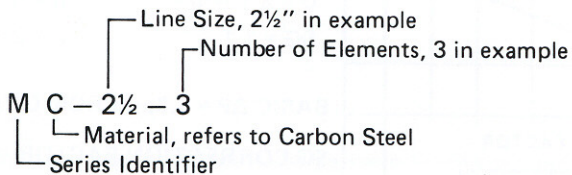
**FLANGES:** ANSI B16.5 – 150 lb. Drilling  
CARBON STEEL &  
STAINLESS STEEL – Raised Face  
P.V.C. – For Sizes: 3" & Larger – Raised Face  
Smaller than 3" – Flat Face  
F.R.P. – Flat Face

LINE SIZE NPS	L <sub>1</sub> inches			SHIPPING WT. lb.		
	2 el.	3 el.	4 el.	2 el.	3 el.	4 el.
2	7	9	13	14	15	16
2½	8	11	14	21	23	25
3	9	13	16	27	29	33
4	11	16	21	43	49	55
6	16	24	31	78	93	110
8	21	31	41	132	163	195
10	26	39	52	213	267	326

**NOTE**

WEIGHTS LISTED ARE FOR CARBON STEEL & STAINLESS STEEL. TO OBTAIN SHIPPING WEIGHTS FOR PVC & FRP DIVIDE VALUES LISTED BY A FACTOR 3.  
ALL DIMENSIONS ± 1/8

**"M" SERIES NUMBERING SYSTEM**



Symbol	Material
C	Carbon Steel
S	Stainless Steel
F	Fiberglass
P	P.V.C.

Larger Sizes, Materials & Configurations Available On Request

**KOMAX SYSTEMS, INC.**  
MIXING BY DESIGN

**KOMAX SYSTEMS, INC.**

P.O. BOX 1323, WILMINGTON, CA 90748-1323  
TEL: (310) 830-4320 • (800) 826-0760 • FAX: (310) 830-9826  
<http://www.komax.com> • E-mail: [info@komax.com](mailto:info@komax.com)