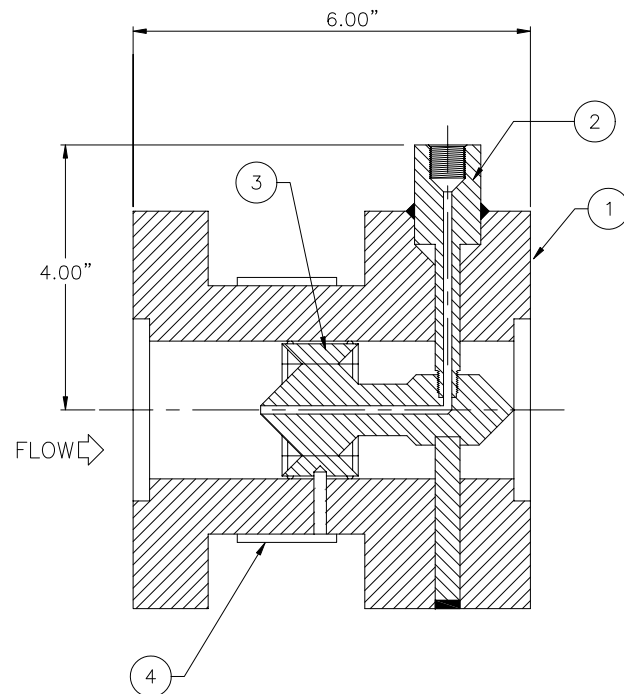
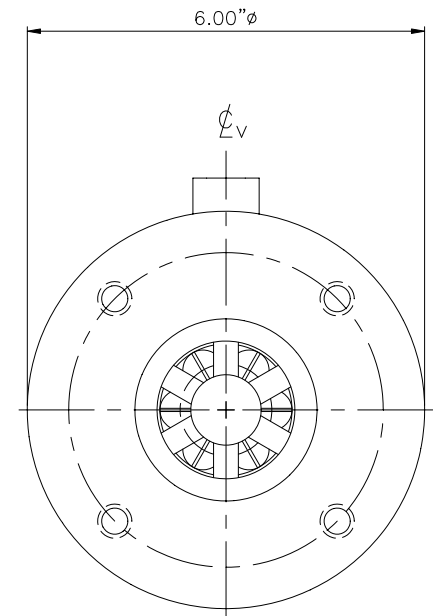


LEFT SIDE ELEVATION



CROSS SECTION



RIGHT SIDE ELEVATION

LIST OF MATERIALS

ITEM NO.	QTY.	DESCRIPTIONS	MATERIAL / REMARKS
1	1	BARREL	T316S.S.
2	1	INJECTOR	T316S.S.
3	1	EQUALIZER MODULE ASSEMBLY	T316S.S.
4	1	HEATER BAND	MICA

KOMAX[®] SYSTEMS, INC.
 P.O. BOX 1323 WILMINGTON, CA 90748-1323 310-830-4320 FAX: 310-830-9826

OUTLINE & MOUNTING CONFIGURATION

SIDD			
SCALE: 1/2" = 1"	APPROVED:	DRAWN BY: DP	
DATE: 02-11-97		REV. DATE:	
CUSTOMER:	QUOTE NO.:	CODE#	DRAWING NUMBER:
	JOB NO.:		17995