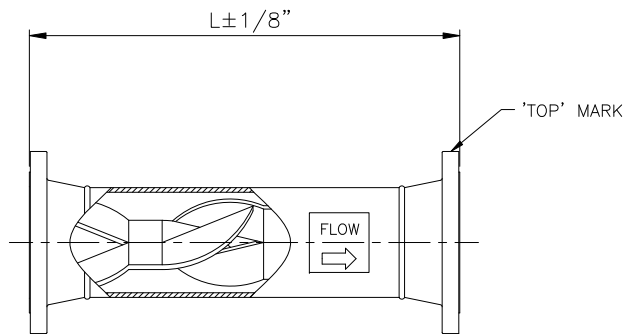


UPSTREAM END VIEW



HOUSING: CARBON STEEL A106 GRADE B
SCHEDULE 40 THROUGH 10" NPS
STANDARD WALL (3/8") - 12" & LARGER.

END CONNECTIONS: 150 LB RFWN FLANGES

ELEMENTS: THREE (3) CARBON STEEL
ROTATED 30° IN CT CONFIGURATION.

TABULATION BLOCK		
MODEL NUMBER	LINE SIZE, NPS "D"	L ±1/8"
CT007-3-150W	3/4	4 1/4
CT010-3-150W	1	4 1/2
CT015-3-150W	1 1/2	7
CT020-3-150W	2	9
CT030-3-150W	3	13
CT040-3-150W	4	17
CT060-3-150W	6	26
CT080-3-150W	8	34
CT100-3-150W	10	42
CT120-3-150W	12	51
CT140-3-150W	14	56
CT160-3-150W	16	64
CT180-3-150W	18	73
CT200-3-150W	20	81
CT220-3-150W	22	89
CT240-3-150W	24	98
ALL DIMENSIONS ARE IN INCHES		

NOTES:

1. KOMAX "CT" MIXER MAY BE INSTALLED HORIZONTALLY OR VERTICALLY. WHEN INSTALLED HORIZONTALLY THE MIXER IS ORIENTED WITH THE 'TOP' MARK AT THE TOP TO ASSURE PROPER PICK-UP AND MIXING OF B.S. & W.
2. FLANGE DIMENSIONS & TOLERANCES IN ACCORDANCE WITH ANSI B16.5.

KOMAX® SYSTEMS, INC.			
<small>P.O. BOX 1323 WILMINGTON, CA 90748-1323 310-830-4320 FAX: 213-830-9826</small>			
OUTLINE & MOUNTING CONFIGURATION			
STANDARD 3 ELEMENT "CT" MIXER (WITH 150 LB RFWN FLANGES)			
SCALE: NONE	APPROVED:	DRAWN BY: DP	
DATE: 02-25-92		REV. DATE:	
THIS DRAWING SUPERSEDES DRAWING NO. 7080B DRAWN 12-15-82	QUOTE NO.: JOB NO.:	CODE# 007-8	DRAWING NUMBER: 17966