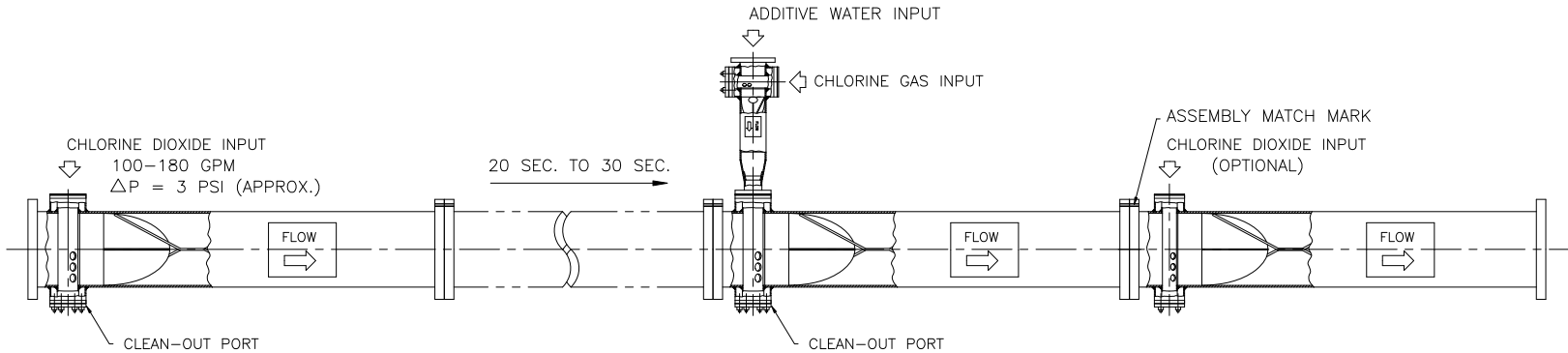


KOMAX CHLORINE GAS/ADDWATER
DISPERSION MIXER

HOUSING: 150 PSI RATED, 9500 SERIES
FILAMENT WOUND, FRP
FLANGES: 150 LB DRILLING, FLAT FACED
FRP
ELEMENT: THREE, SOLID KYNAR
INJECTOR: REMOVABLE KYNAR



KOMAX HI-SUBSTITUTION MIXER

HOUSING: 150 PSI RATED, 9500 SERIES
FILAMENT WOUND, FRP
FLANGES: 150 LB DRILLING, FLAT FACED
FRP
ELEMENT: FOUR, FRP
INJECTOR: REMOVABLE KYNAR

CUSTOMER'S PIPELINE

KOMAX PULP STOCK STATIC CHLORINE MIXER

HOUSING: 150 PSI RATED, 9500 SERIES
FILAMENT WOUND, FRP
FLANGES: 150 LB DRILLING, FLAT FACED
FRP
ELEMENT: FOUR, FRP
INJECTOR: REMOVABLE KYNAR

KOMAX PULP STOCK STATIC CHLORINE DIOXIDE MIXER

HOUSING: 150 PSI RATED, 9500 SERIES
FILAMENT WOUND, FRP
FLANGES: 150 LB DRILLING, FLAT FACED
FRP
ELEMENT: FOUR, FRP
INJECTOR: REMOVABLE KYNAR (OPTIONAL)

MATERIAL OF CONSTRUCTION: FRP
DOW DERAKANE 411-350 PA RESIN
USED THROUGHOUT CONSTRUCTION.

UNITS AVAILABLE FROM 6 TO 24 INCH DIAMETER

TOTAL SYSTEM ΔP = 15 PSI @6 FPS (3 MIXER)
PRODUCTION: TURNDOWN TO 3 FPS

KOMAX® SYSTEMS, INC. P.O. BOX 1323 WILMINGTON, CA 90748-1323 213-830-4320 FAX: 213-830-9826			
GENERAL ARRANGEMENT			
KOMAX HI-SUBSTITUTION CLO2 / CL2 PULP STOCK BLEACH MIXER			
SCALE: 1/32" = 1"	APPROVED BY:	DRAWN BY: DP	
DATE: 10-05-90		REV. DATE:	
THIS DRAWING SUPERCEEDS DRAWING NO. 15312 DRAWN 03-01-90	QUOTE NO. JOB NO.	CODE# 06-002	DRAWING NUMBER: 15953