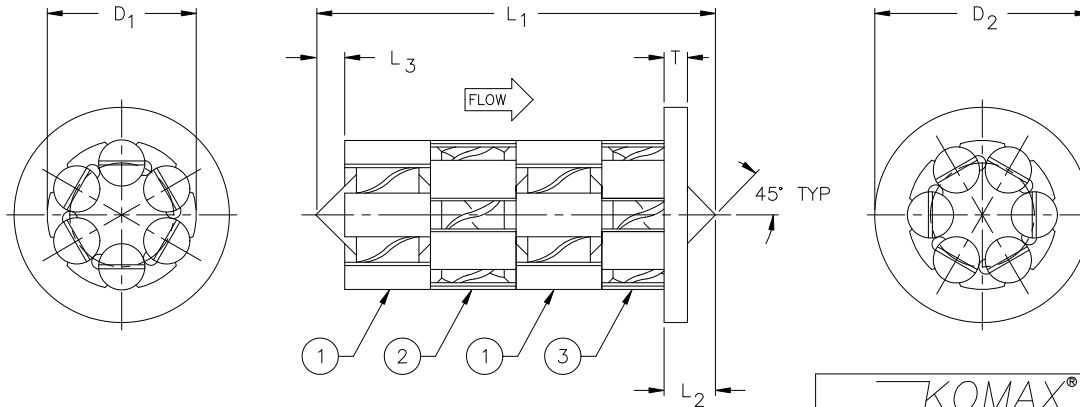


TABULATION BLOCK								RECOMMENDED HOLE ϕ	
ND	KOMAX MODEL NO.	D ₁	D ₂ +0.000 -0.005	L ₁ ± 0.062	L ₂ ± 0.076	L ₃ ± 0.076	T ± 0.010	RD ₁ +0.005 -0.000	RD ₂ +0.005 -0.000
1.000	TE-100-04-200-NT	0.995 / 0.990	1.995	2.701	0.579	0.201	0.378	0.997	2.000
1.250	TE-125-04-225-NT	1.245 / 1.240	2.245	3.371	0.626	0.248	0.378	1.247	2.250
1.500	TE-150-04-250-NT	1.495 / 1.487	2.495	4.041	0.673	0.295	0.378	1.497	2.500
1.750	TE-175-04-275-NT	1.745 / 1.736	2.745	4.707	0.720	0.342	0.378	1.747	2.750
2.000	TE-200-04-300-NT	1.995 / 1.985	2.995	5.377	0.767	0.389	0.378	1.997	3.000
2.250	TE-225-04-325-NT	2.245 / 2.235	3.245	6.047	0.930	0.434	0.496	2.247	3.250
2.500	TE-250-04-350-NT	2.495 / 2.485	3.495	6.747	0.994	0.498	0.496	2.497	3.500
2.750	TE-275-04-375-NT	2.745 / 2.735	3.745	7.413	1.041	0.545	0.496	2.747	3.750
3.000	TE-300-04-400-NT	2.995 / 2.985	3.995	8.083	1.088	0.592	0.496	2.997	4.000
3.250	TE-325-04-450-NT	3.245 / 3.235	4.495	8.753	1.130	0.634	0.496	3.247	4.500
3.500	TE-350-04-500-NT	3.495 / 3.485	4.995	9.423	1.182	0.686	0.496	3.497	5.000
3.750	TE-375-04-550-NT	3.745 / 3.735	5.495	10.089	1.318	0.733	0.585	3.747	5.500
4.000	TE-400-04-600-NT	3.995 / 3.985	5.995	10.759	1.363	0.778	0.585	3.997	6.000
4.500	TE-450-04-650-NT	4.495 / 4.485	6.495	12.097	1.583	0.873	0.710	4.497	6.500



PARTS LIST

ITEM NO.	QTY.	DESCRIPTIONS	MATERIAL / REMARKS
1	2	L.H. TANG'L EQUA. MODULE, DWG #15959	T316S.S.
2	1	R.H. TANG'L EQUA. MODULE, DWG #15959	T316S.S.
3	1	DOWNSTREAM END TANGENTIAL EQUALIZER MODULE, DWG #17432	T316S.S.

NOTES:

1. DEBURR ALL SHARP EDGES AND CORNERS.
2. ALL SURFACES TO BE POLISHED.
3. ALL DIMENSIONS IN INCHES

KOMAX® SYSTEMS, INC.

P.O. BOX 1323 WILMINGTON, CA 90748-1323 213-830-4320 FAX: 213-830-9826

OUTLINE & MOUNTING CONFIGURATION

STD. 4 MODULE "TE" UNIT ALL TANGENTIAL (WITH RING)

SCALE: 1/4" = 1"	APPROVED BY:	DRAWN BY: DP
DATE: 06-11-93		REV. DATE:
CUSTOMER:	QUOTE NO. JOB NO.	CODE# 003-37
		DRAWING NUMBER: 15964T