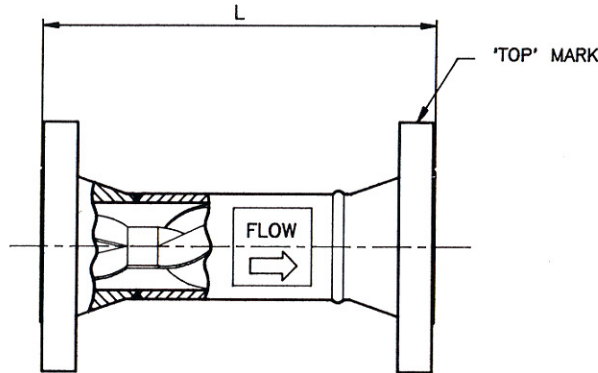


UPSTREAM END VIEW



HOUSING: CARBON STEEL A106 GRADE B
SCHEDULE 40 THROUGH 10" NPS
STANDARD WALL (3/8") - 12" & LARGER

END CONNECTIONS: SEE END CONFIGURATION
TABLE

ELEMENTS: 2 OR 3 CARBON STEEL
ROTATED 30° IN CT CONFIGURATION.

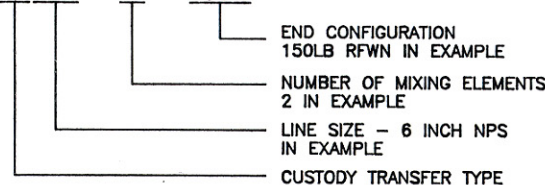
TABULATION BLOCK		
LINE SIZE, NPS	'L' OVERALL LENGTH	
	2 ELEMENTS	3 ELEMENTS
3/4	3	4
1	3	5
1 1/2	5	7
2	6	9
3	9	13
4	12	17
6	18	26
8	24	34
10	30	42
12	36	51
14	39	56
16	45	64
18	51	73
20	57	81
22	63	89
24	69	98

- FOR LARGER SIZES CONTACT FACTORY

END CONFIGURATION	
00	PLAIN ENDS
11	WELD PREP ENDS
22	THREADED ENDS
150S	** 150 LB RFSO
150W	** 150 LB RFWN

TYPICAL MODEL NUMBER:

CT060 - 2 - 150W



NOTES:

1. KOMAX CT MIXERS MAY BE INSTALLED HORIZONTALLY OR VERTICALLY. WHEN INSTALLED HORIZONTALLY THE MIXER IS ORIENTED WITH THE "TOP" MARK AT THE TOP TO ASSURE PROPER PICK-UP AND MIXING OF B.S. & W.
2. FLANGE DIMENSIONS & TOLERANCES IN ACCORDANCE WITH ANSI B16.5.
- ** 3. FOR SIZES: 3/4" TO 2" FLANGED ENDS, CONTACT FACTORY FOR CORRECT LENGTH.

KOMAX SYSTEMS, INC.		
P.O. Box 1323 Wilmington, CA 90748-1323 310-830-4320 310-830-9826 http://www.komax.com		
OUTLINE & MOUNTING CONFIGURATION		
KOMAX CUSTODY TRANSFER STATIC MIXER CLASS 150 FLANGES		
SCALE: 1/4" = 1"	APPROVED BY:	DRAWN BY: DP
DATE: 07-02-91	L.N.N.	REV. DATE: 03-05-92
THIS DRAWING SUPERSEDES DRAWING NO. 7080B DRAWN 12-15-82		CODE# 007-4
		DRAWING NUMBER: 17278