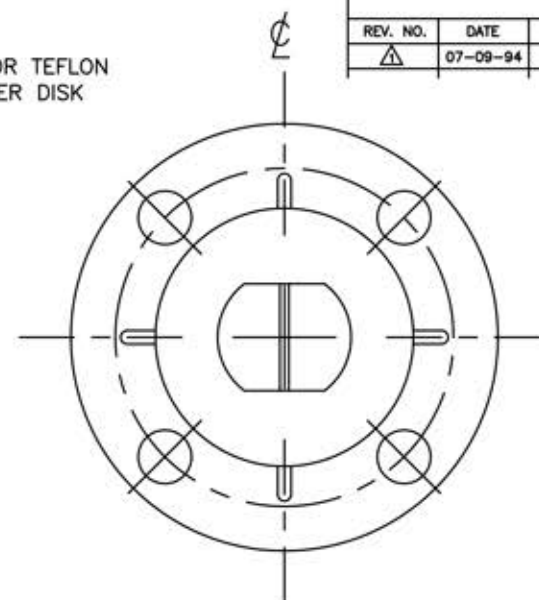


REVISION BLOCK				
REV. NO.	DATE	DESCRIPTION	DRAWN	APPR.
△	07-09-94	MAT'L DESCRIPTION CHANGE	LCE	



HOUSING: SCHEDULE 20 KYNAR OR TEFLON LINED CARBON STEEL. △ S.S. AVAILABLE AS OPTION

FLANGES: 150LB RATED (ANSI B16.5 DRILLING) △

MIXING ELEMENTS: AVAILABLE WITH SOLID KYNAR OR GLASS-FILLED TEFLON ELEMENTS

ELEMENT CONFIGURATION: DUAL-MAXI PINNED TOGETHER AS AN ASSEMBLY

CONTACT KOMAX FOR APPLICATION ASSISTANCE AND PART NUMBERS

TABULATION BLOCK

LINE SIZE NPS	3 ELEM.	4 ELEM.	5 ELEM.	6 ELEM.	D1	LINER THICKNESS	I.D. LINED PIPE
	L	L	L	L			
1	6 1/2	6 1/2	7	8	-	.125	0.799
1-1/2	7 1/2	10	12 1/2	14 1/2	-	.125	1.360
2	7 1/2	10	12 1/2	14 1/2	3 5/8	.125	1.817
3	10	13 1/2	17	20 1/2	5	.125	2.818
4	13	17 1/2	22 1/2	27	6 3/16	.125	3.776
6	18 1/2	26	33	40 1/2	8 1/2	.195	5.675
8	24 1/2	34 1/2	43 1/2	53 1/2	10 5/8	.250	7.481
10"-24"	CALL						

ALL DIMENSIONS ARE IN INCHES

KOMAX® SYSTEMS, INC.

P.O. BOX 1323 WILMINGTON, CA 90748-1323 213-830-4320 FAX: 213-830-9826

OUTLINE & MOUNTING CONFIGURATION

TYPICAL LINED MIXER WITH ADDITIVE DISK
AVAILABLE IN TEFLON & KYNAR

SCALE: 1/2" = 1"	APPROVED BY:	DRAWN BY: EA	
DATE: 12-17-90		REV. DATE: 07-09-07	
THIS DRAWING SUPERSEDES DRAWING NO. 12411 DRAWN 10-26-90	QUOTE NO. JOB NO.	CODE# 01-009	DRAWING NUMBER: PROPOSAL